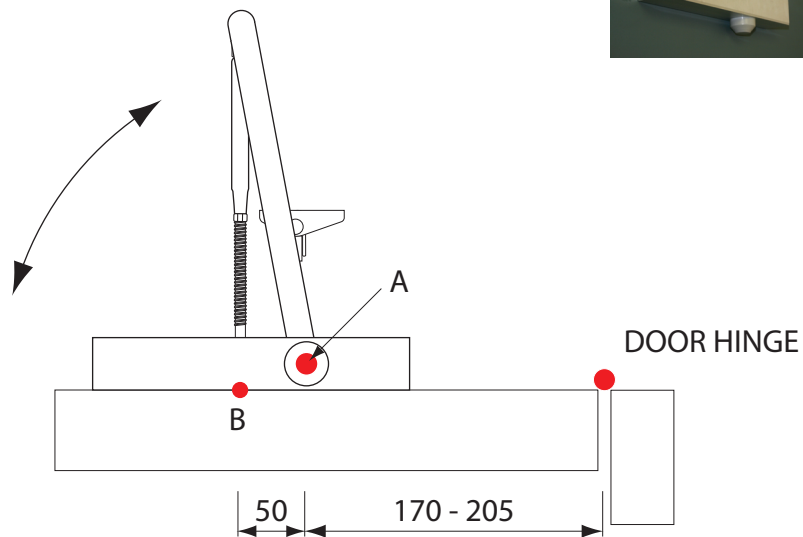


# HYDRAULIC DOOR CLOSER

## Option 1: Door opens towards operator

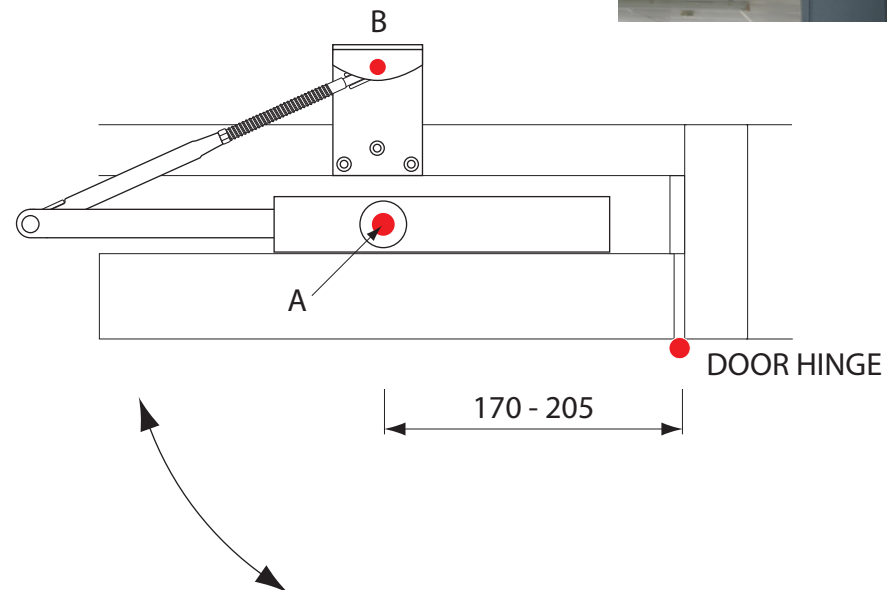
VIEW FROM BELOW LOOKING UP



1. Fit **A** on door at 170 - 205mm from **hinge**
2. Fit **B** on door frame at 90° (approximately 50mm from **A**) and adjust length to suit strength required

## Option 2: Door opens away from operator

VIEW FROM BELOW LOOKING UP



1. Fit **A** on door at 170 - 205mm from **hinge**
2. Fit **B** to door frame, adjusting length to suit strength required



FOR HARD TO FIND HARDWARE

Disclaimer: These plans and designs are concepts, accurate to the best of our knowledge. Dimensions and designs shown are based on actual working models, however do not constitute a specification. Co-Mac (PN) Ltd take no responsibility in any form whatsoever for the results of the use of these plans, and the user is recommended to conduct their own assessment of the designs, within the requirements of the application.

www.comac.co.nz PH (06) 350-0015  
orders@comac.o.nz FAX (06) 354-2662

PH 0800 33 55 22  
FAX 0800 42 66 22

105 Kaimanawa St  
PALMERSTON NORTH 4440

© Co-Mac  
(PN) Ltd  
2017

