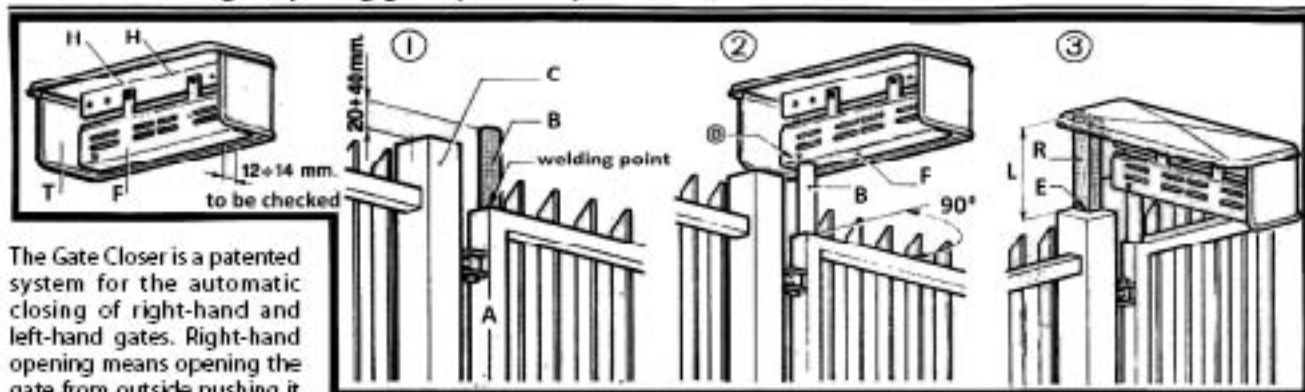


GATE CLOSER - FITTING INSTRUCTIONS

Installation of a right-opening gate 1, closed 2, as seen from inside 3



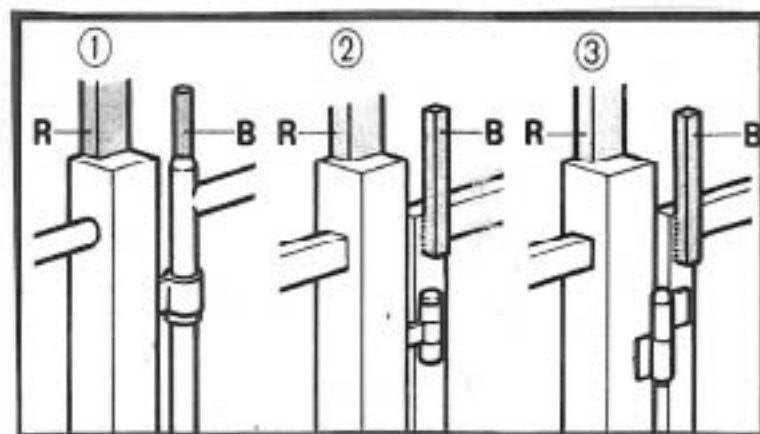
The Gate Closer is a patented system for the automatic closing of right-hand and left-hand gates. Right-hand opening means opening the gate from outside pushing it from left to right. Left hand opening means opening the gate from outside pushing it from right to left. Once installed, the block always remains on the inside part. This block is made up of two pieces: the container box (T) to be fixed to the column, and the slotted bracket (F) to be fixed to the gate; the two pieces are linked by two feathers (H) at an optimal distance of 12/14mm. For installation see figures 1, 2 and 3.

The Gate Closer can be installed when the gate is closed, by welding or bolting a steel stub (B) (a pipe 27mm as suggested by manufacturers) on the vertical hinged upright (A). The steel stub should be 20/40mm higher than column C.

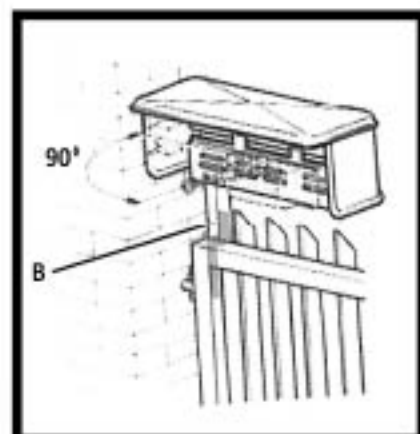
The Gate Closer is installed on the stub (B), which has already been welded or bolted to the gate, so that the mark D for right-hand gates and S for the left-hand gates is evident over the stub itself. The bracket (F) is then welded or bolted to the stub's end so that the assembly block is in a right-angle position to the gate.

The Gate Closer is then fixed to the point E of column C, by using a tubular piece (R) suggested dimensions 40x20 of length L, leaving the box in the same position. Loosen the screws connecting the bracket (F) to the container (T), take away the feathers (H) and finally mount the closer.

In case of concrete columns, fix a steel plate on the column and weld the reinforcement (R) to it



When it is practicable, weld pipe B perpendicular to the hinges, as figures 1 and 2 show; when this is not possible, as shown in figure 3, adapt the welding or bolting in the most suitable way.



If there are obstructions above the hinges which do not permit right-angle installation, the block can be applied parallel to the gate at a practicable height, by welding or bolting part (B) to the outer part of the gate, achieving in this way the complete opening of the gate itself.

The Kit closer is reversible. By turning it upside down it closes both right-hand and left-hand gates. Before mounting the closer, make sure that the hinges and the locks are in perfect working order.

- (1) Mount the closer and the arm to the slots and holes at the maximum distance from the hinges, but without fastening them. For light gates, bring the closer nearer to the hinges, while for heavy gates, move the closer further away then fasten it.
- (2) The closing speed can vary according to the adjustment of the screw placed on the side of the closer.

The final snap is adjustable as follows: release the arm bolt, let him run, and then fasten it.



Closer fitted on a left hung gate



Front view



Open gate